



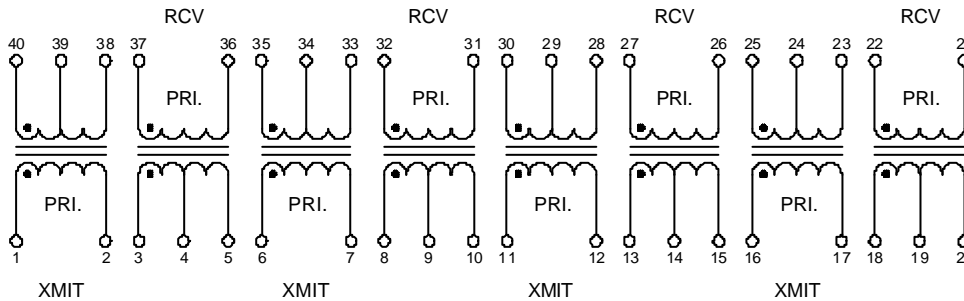
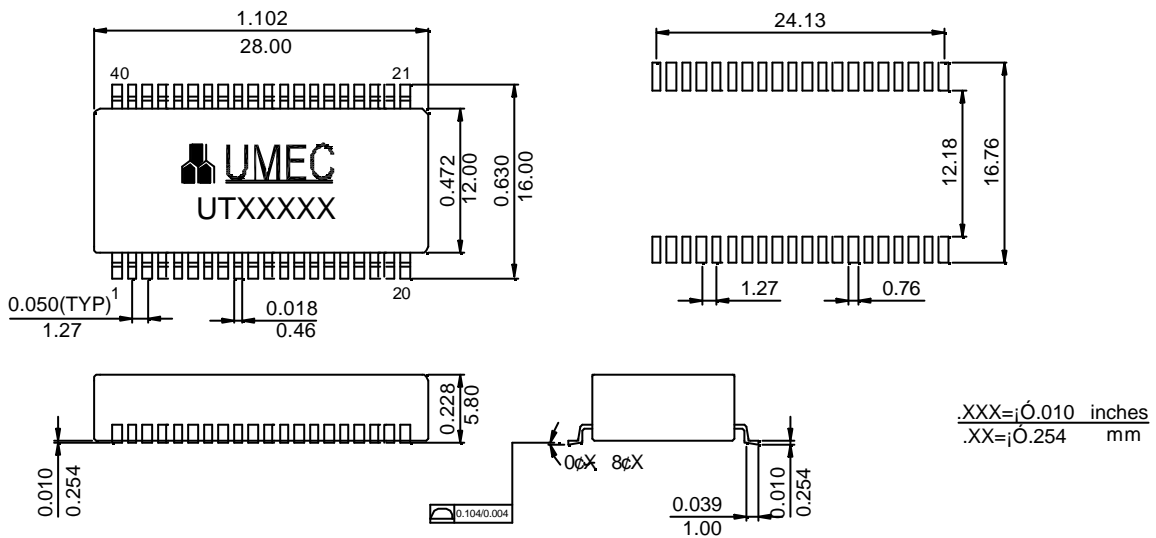
DATA SHEET

UM PART NO.:	SPECIFICATIONS	REV.	1/1
UT23031	T1/E1/CEPT/ISDN-PRI TRANSFORMERS	A0	00/24

ELECTRICAL SPECIFICATIONS AT 25 °C :

- XMIT TURNS RATIO : 1:2CT±2% AT 15.75KHz 1Vrms.
RCV TURNS RATIO : 1:1CT±2% AT 15.75KHz 1Vrms.
- PRI. INDUCTANCE : 1.2 mH min. AT 10KHz 20mVrms.
- INTERWINDING CAPACITANCE : 35 pF max. AT 100KHz 1Vrms.
- LEAKAGE INDUCTANCE : 0.6 uH max. AT 100KHz 1Vrms.
- PRI. DC RESISTANCE : THD Ω max.
- HI-POT : 1500Vrms/2SEC. LEAKAGE CURRENT 0.5mA max. PRI. TO SEC.
- OPERATION TEMPERATURE RANGE: -40 °C TO +85 °C

DIMENSIONS & SCHEMATICS:



Note: Specifications are subject to change without prior notice.



UMEC GmbH
 Universal Microelectronics

UMEC elektronische Komponenten GmbH
 Kreuzenstraße 80 • D-74076 Heilbronn
 Tel. 07131/76170 • Fax 07131/761720

E10-007-B

Internet: www.umec-europe.com
www.umec-web.net

e-mail: info@umec.de